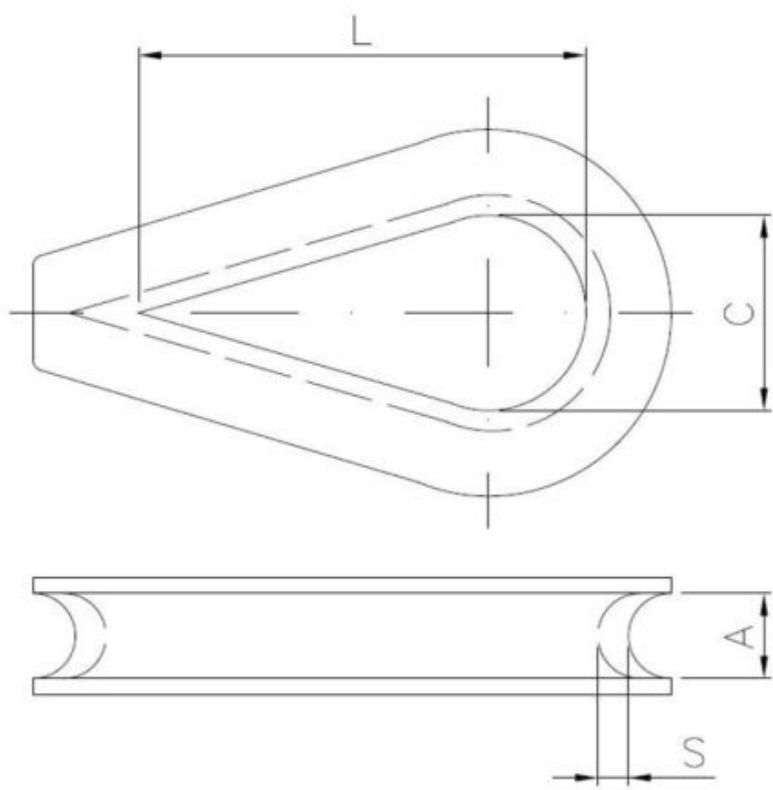


???????? (????????):

Materia?:



????????????????

+48 58 55 40 410

Standards:

DIN 6899
PN-EN 13411,PN-M 80247



???????

Material index	A [mm]	L [mm]	C [mm]	s [mm]
I6325002A46899S	2	10	7	0.7
I6325003A46899S	3	15	9	1.7
I6325004A46899S	4	18	11	1.7
I6325005A46899S	5	20	14	1.7
I6325006A46899S	6	23	16	2.0
I6325008A46899S	8	29	18	2.0
I6325010A46899S	10	37	24	2.0
I6325012A46899S	12	50	29	3.0