

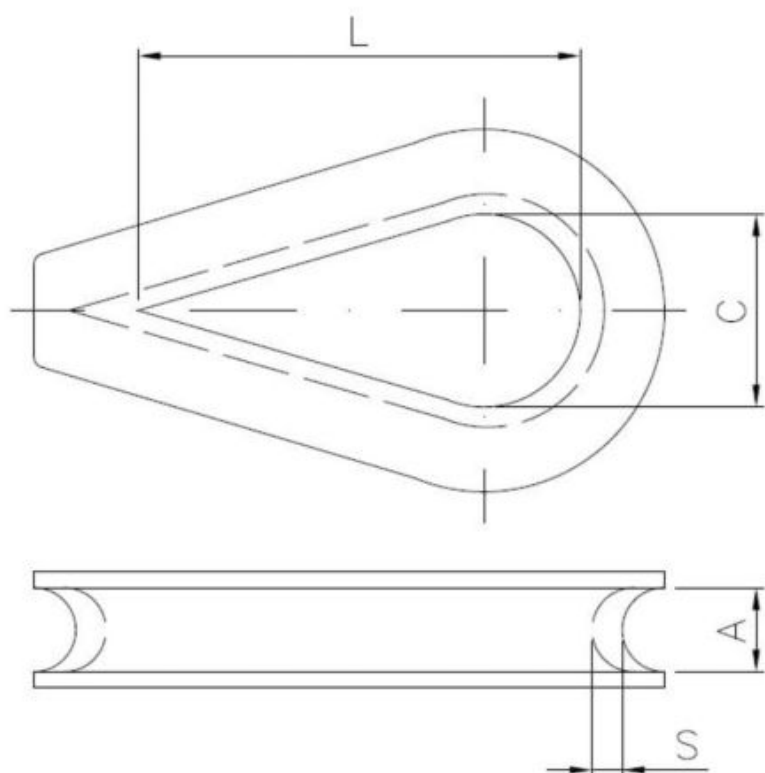
**Standards:**

DIN 6899  
PN-EN 13411,PN-M 80247



????????? (?????????):

**B**  
ЦИНКОВОЕ  
ПОКРЫТИЕ  
В БЕЛОМ ЦВЕТЕ



????????

Material index	Вид	C [mm]	L [mm]	A [mm]	s [mm]
6325003S	3	12.5	19.0	3.7	1.7
6325004S	4	13.3	20.0	4.8	1.7
6325005S	5	14.5	23.0	6	1.7
6325006S	6	16.0	24.5	7.5	2.0
6325008S	8	20.5	31.5	9.5	2.0
6325010S	10	25.0	38.0	11	2.0
6325012S	12	28.0	44.5	13	3.0
6325014S	14	35.5	59.0	16	3.0
6325016S	16	40.5	63.5	18.5	4.0
6325018S	18	40.5	63.5	21	4.0

<b>Material index</b>	<b>Вид</b>	<b>C [mm]</b>	<b>L [mm]</b>	<b>A [mm]</b>	<b>s [mm]</b>
6325020S	20	44.5	72.5	23.5	4.0