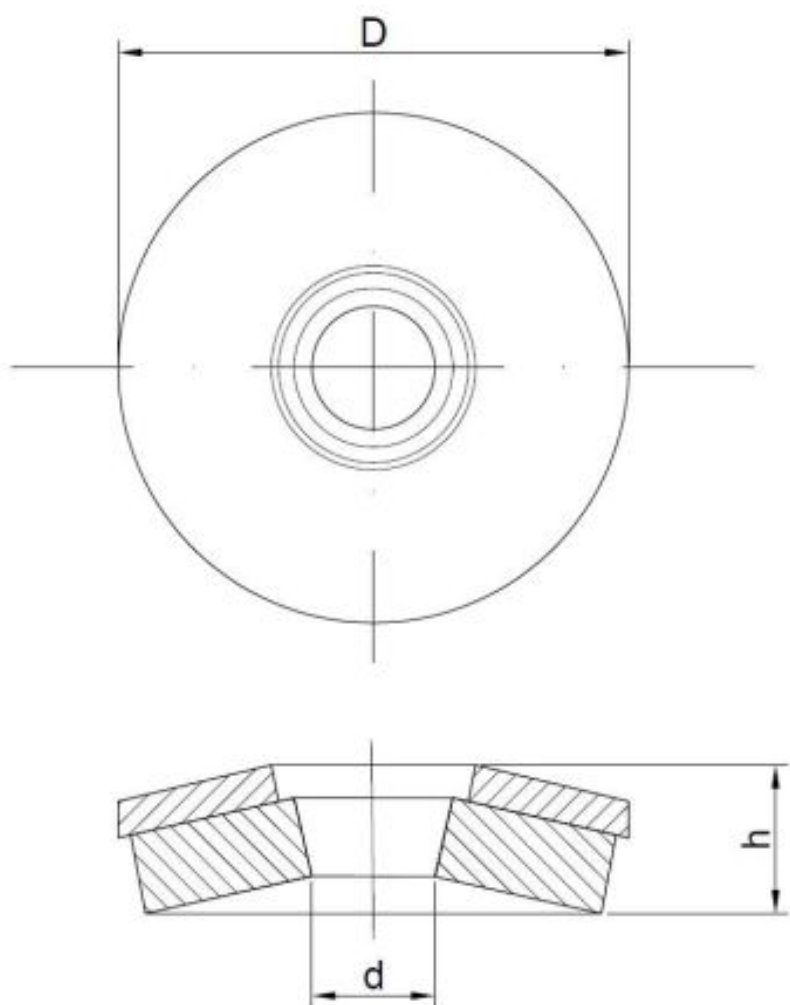




Materia?:

A2



????????

Material index	d [mm]	D [mm]	h [mm]	материалы
I1410120A2T	5.3	12.0	2.0	A2 (stal nierdzewna), EPDM (guma)
I1410140A2T	5.5	14.0	2.0	A2 (stal nierdzewna), EPDM (guma)
I1410160A2T	6.6	16.0	2.0	A2 (stal nierdzewna), EPDM (guma)
I1410190A2T	6.6	19.0	2.0	A2 (stal nierdzewna), EPDM (guma)