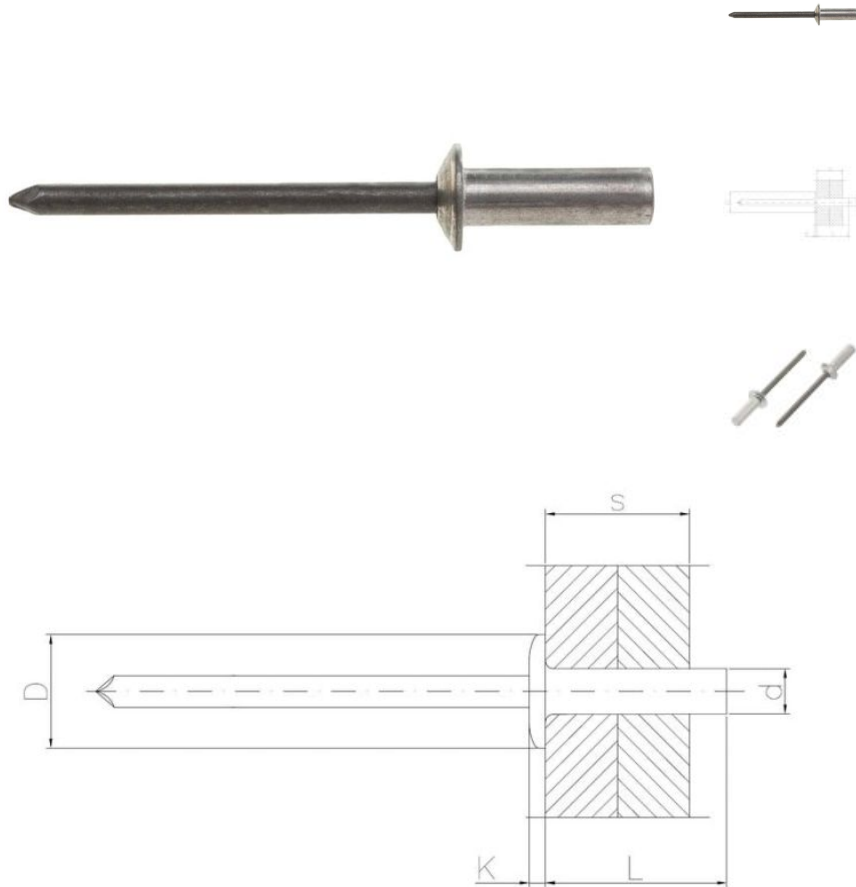


????????????? ??????

+48 58 55 40 410

Standards:

ISO 15973



???????

Material index	d [mm]	L [mm]	D [mm]	s [mm]	k [mm]
2407048145AST	4.8	14.5	9.5	8.0-9.5	1.5
2407048085AST	4.8	8.5	9.5	0.5-3.5	1.5
2407048160AST	4.8	16	9.5	9.5-11.0	1.5
2407048130AST	4.8	13	9.5	6.5-8.0	1.5
2407048125AST	4.8	12.5	9.5	6.0-8.0	1.5
2407048250AST	4.8	25	9.5	16.0-20.0	1.5
2407048210AST	4.8	21	9.5	13.0-16.0	1.5
2407048095AST	4.8	9.5	9.5	3.5-5.0	1.5
2407048110AST	4.8	11	9.5	5.0-6.5	1.5
2407040125AST	4.0	12.5	8.0	6.5-8.0	1.3
2407040080AST	4.0	8	8.0	0.5-3.5	1.3
2407040095AST	4.0	9.5	8.0	3.5-5.0	1.3
2407040110AST	4.0	11	8.0	5.0-6.5	1.3
2407032095AST	3.2	9.5	6.0	3.5-5.0	0.9
2407032125AST	3.2	12.5	6.0	6.5-8.0	0.9
2407032080AST	3.2	8	6.0	2.0-3.5	0.9