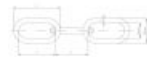


????????????? ??????

+48 58 55 40 410

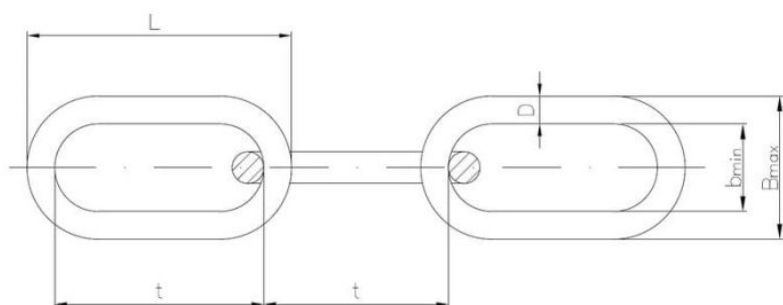
Standards:

DIN 766~



????????? (?????????):

Materia?:



???????

Material index	D [mm]	L [mm]	P [mm]	B1 [mm]	Bmax [mm]	Obciążenie znamionowe [kg]	Obciążenie zrywające [kg]
I6305020A4766M	2.0	16.0	12.0	3.5	8.0	125	200
I6305030A4766M	3.0	22.0	16.0	5.5	11.0	280	440
I6305040A4766M	4.0	27.0	16.0	4.8	13.6	500	800
I6305050A4766M	5.0	31.0	18.5	6.0	17.0	800	1250
I6305060A4766M	6.0	36.0	18.5	7.2	20.4	1000	1600
I6305080A4766M	8.0	48.0	24.0	9.6	27.2	2000	3200